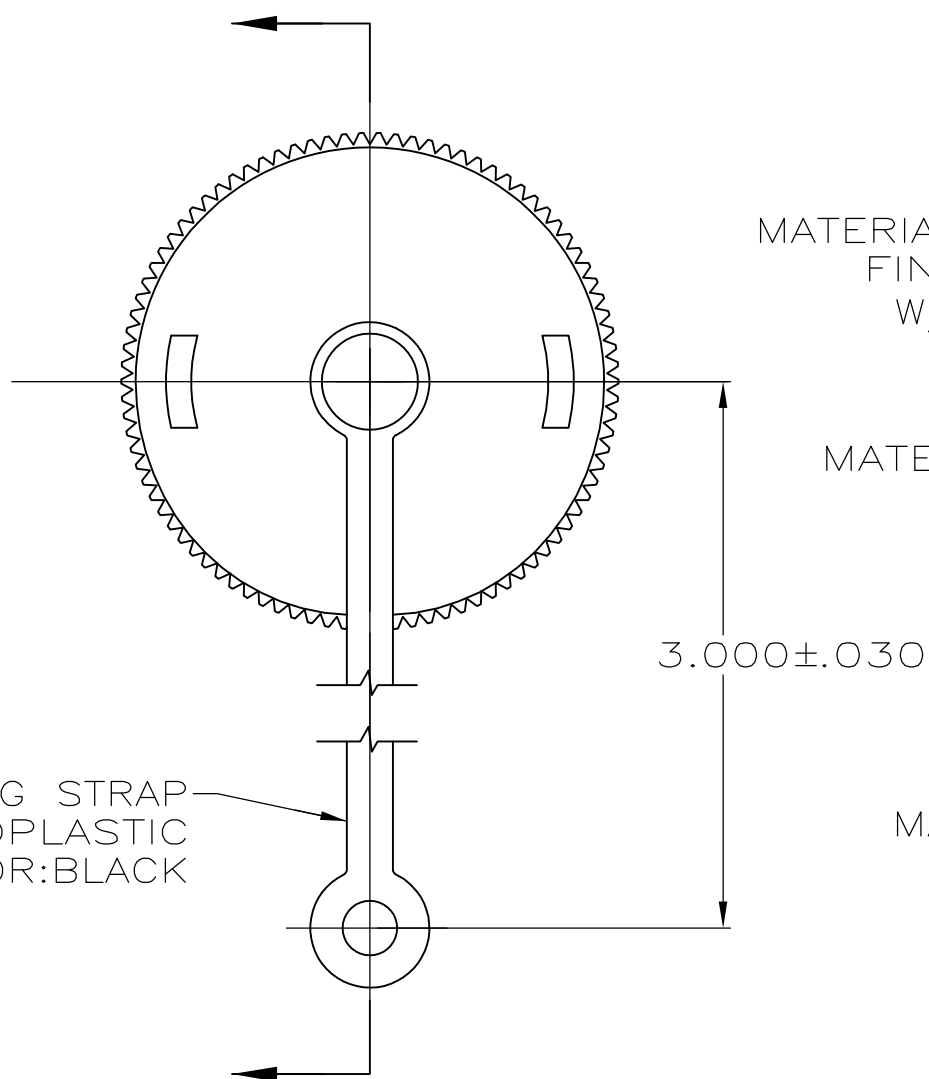


THIS DRAWING IS UNPUBLISHED. RELEASED FOR PUBLICATION  
 © COPYRIGHT BY TYCO ELECTRONICS CORPORATION. ALL RIGHTS RESERVED.

LOC	DIST	REVISIONS			
P	LTR	DESCRIPTION	DATE	DWN	APVD
FT	4	F	REVISED PER ECO-08-006410	13MAR08	HMR SH

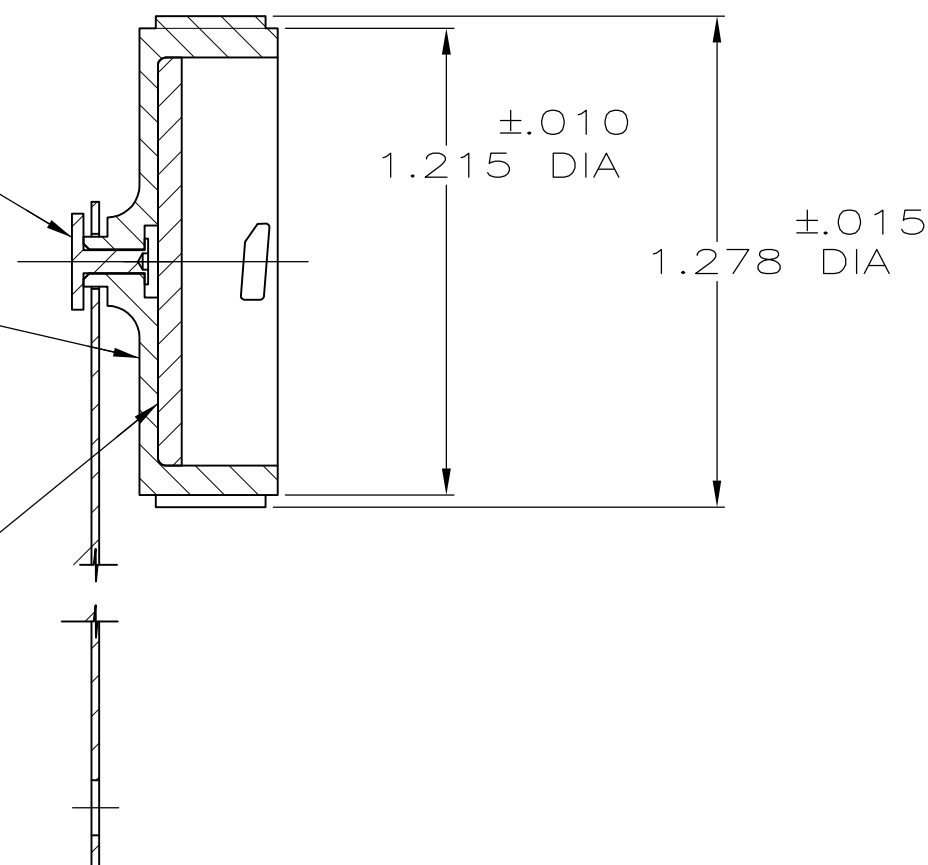


MOUNTING STRAP  
 MATERIAL: THERMOPLASTIC  
 COLOR: BLACK

RIVET  
 MATERIAL: CARBON STEEL  
 FINISH: ZINC PLATE  
 W/CLEAR CHROMATE

SEALING CAP  
 MATERIAL: THERMOPLASTIC  
 COLOR: BLACK

SEALING GASKET  
 MATERIAL: NEOPRENE  
 RUBBER  
 SEE TABLE



YES	YES	207445-3
NO	NO	207445-2
NO	YES	207445-1
ROHS COMPLIANT	SEALING GASKET	PART NUMBER

THIS DRAWING IS A CONTROLLED DOCUMENT.		DWN S.RIDGLEY BG 7/30/90	Tyco Electronics Corporation Harrisburg, PA 17105-3608	
DIMENSIONS: INCHES	TOLERANCES UNLESS OTHERWISE SPECIFIED:	CHK R.STONE 4-26-91	NAME	
	0 PLC ± -	APVD K.BEAVER 4-30-91	SEALING CAP ASSY, SIZE 17, CPC	
	1 PLC ± -	PRODUCT SPEC	-	
	2 PLC ± -	APPLICATION SPEC	-	
	3 PLC ± .005	WEIGHT	-	
	4 PLC ± -	CUSTOMER DRAWING	SIZE A3	CAGE CODE 00779
MATERIAL SEE CALLOUTS	FINISH SEE CALLOUTS		DRAWING NO C-207445	RESTRICTED TO -
			SCALE 2:1	SHEET 1 OF 1
				REV F